

Name: \_\_\_\_\_

# GCSE (1 – 9)

## Plans and Elevations

### Instructions

- Use **black** ink or ball-point pen.
- Answer all questions.
- Answer the questions in the spaces provided  
– *there may be more space than you need.*
- Diagrams are **NOT** accurately drawn, unless otherwise indicated.
- You must **show all your working out.**

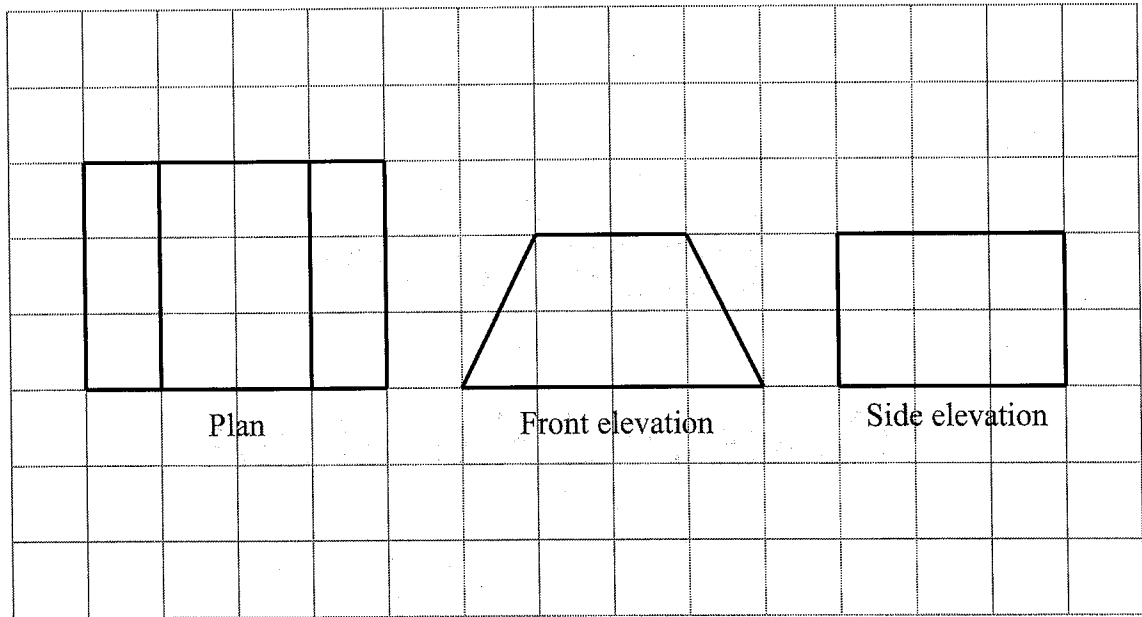
### Information

- The marks for each question are shown in brackets  
– *use this as a guide as to how much time to spend on each question.*

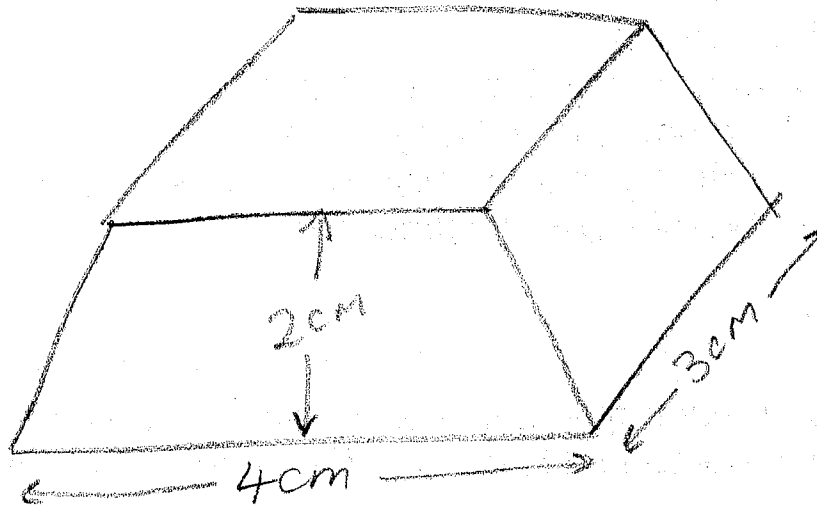
### Advice

- Read each question carefully before you start to answer it.
- Keep an eye on the time.
- Try to answer every question.
- Check your answers if you have time at the end

1 The diagram shows the plan, front elevation and side elevation of a solid shape, drawn on a centimetre grid.

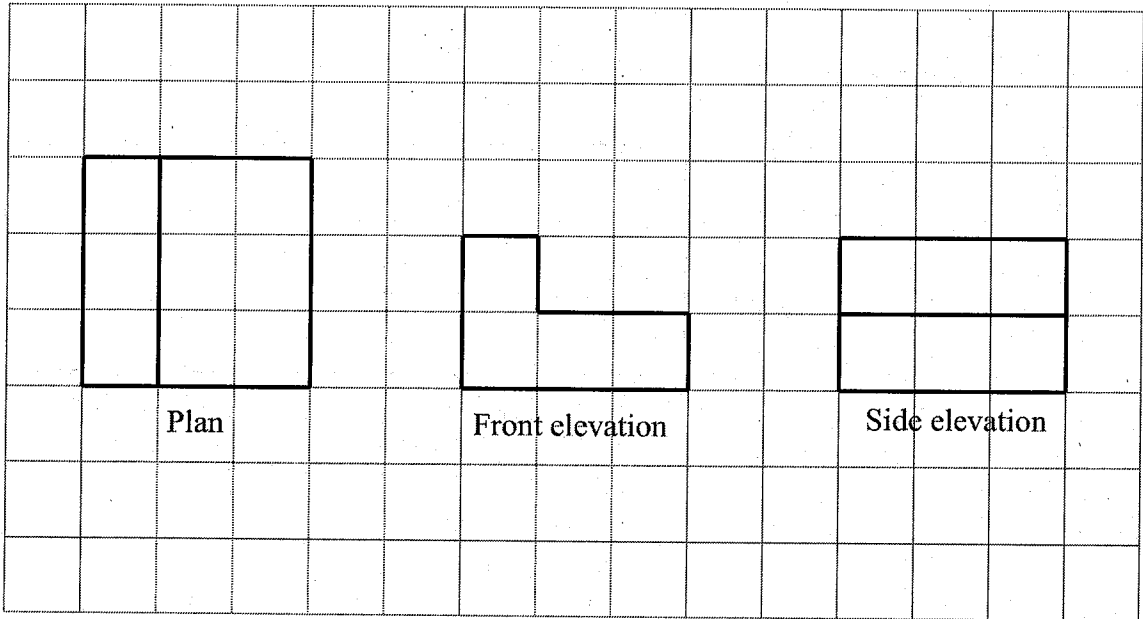


In the space below, draw a sketch of the solid shape.  
Give the dimensions of the solid on your sketch.

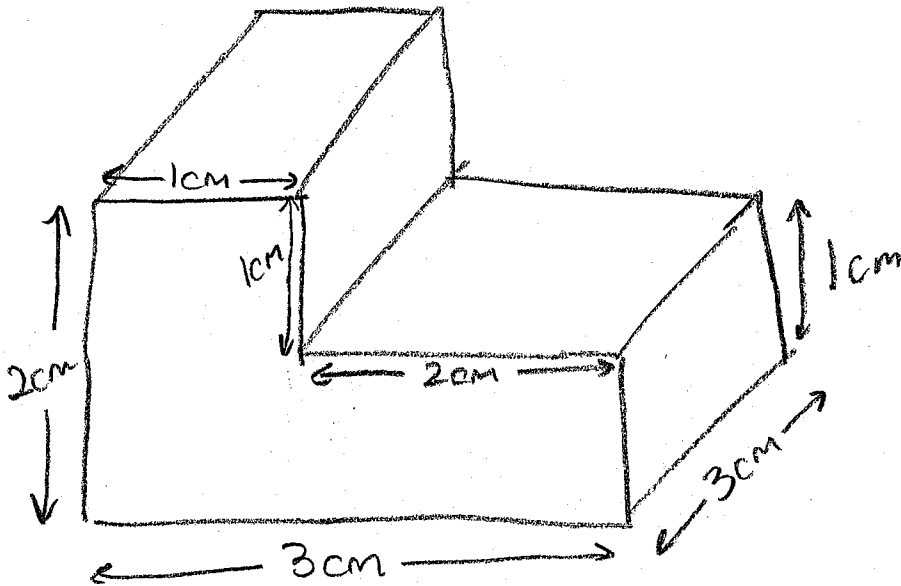


(Total for question 1 is 2 marks)

- 2 The diagram shows the plan, front elevation and side elevation of a solid shape, drawn on a centimetre grid.



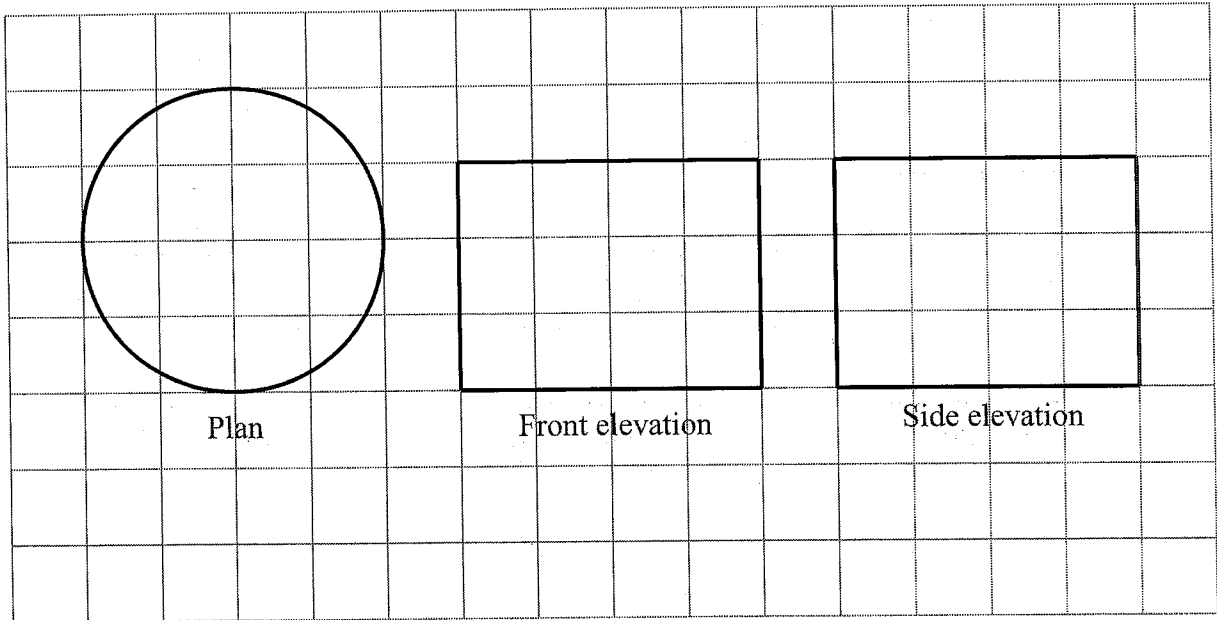
In the space below, draw a sketch of the solid shape.  
Give the dimensions of the solid on your sketch.



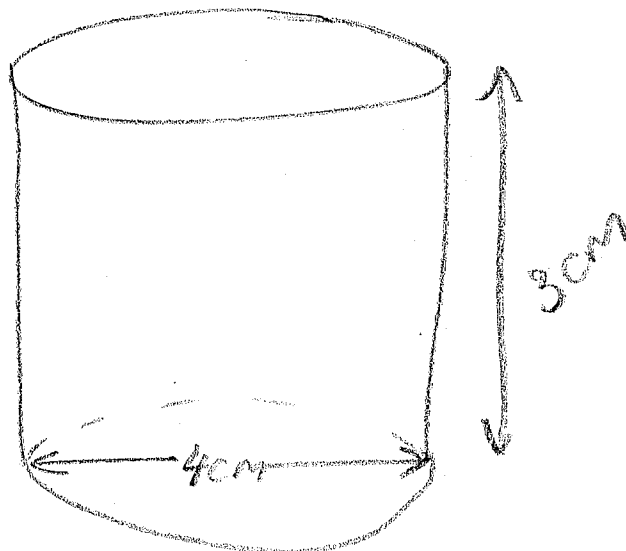
(Total for question 2 is 2 marks)

3

The diagram shows the plan, front elevation and side elevation of a solid shape, drawn on a centimetre grid.

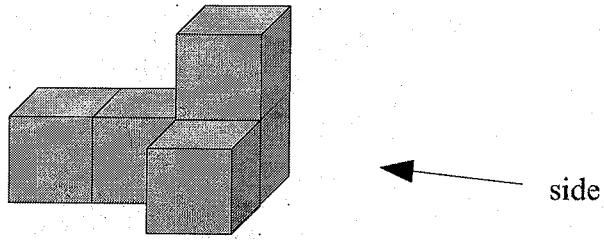


In the space below, draw a sketch of the solid shape.  
Give the dimensions of the solid on your sketch.

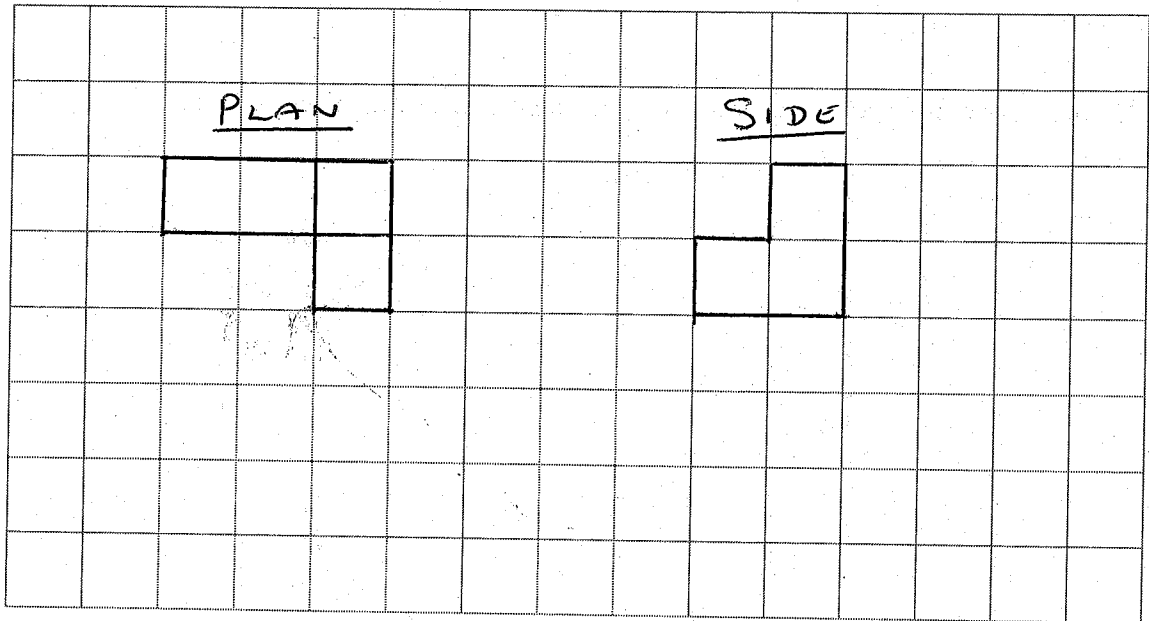


(Total for question 3 is 2 marks)

4 The diagram shows a solid made from centimetre cubes.

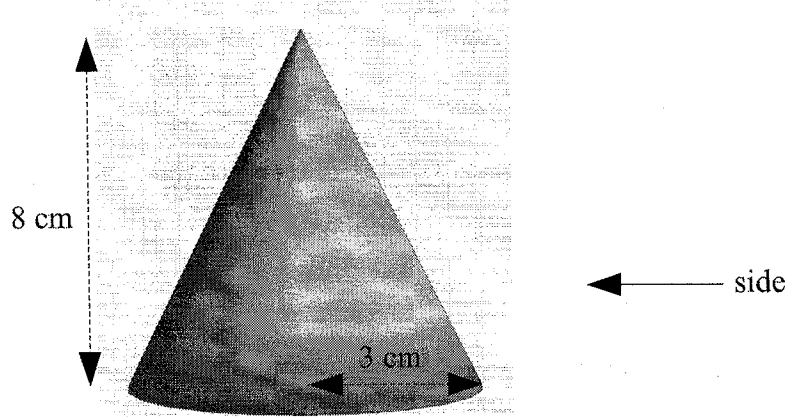


On the centimetre grid below draw the plan and the side elevation for the solid.

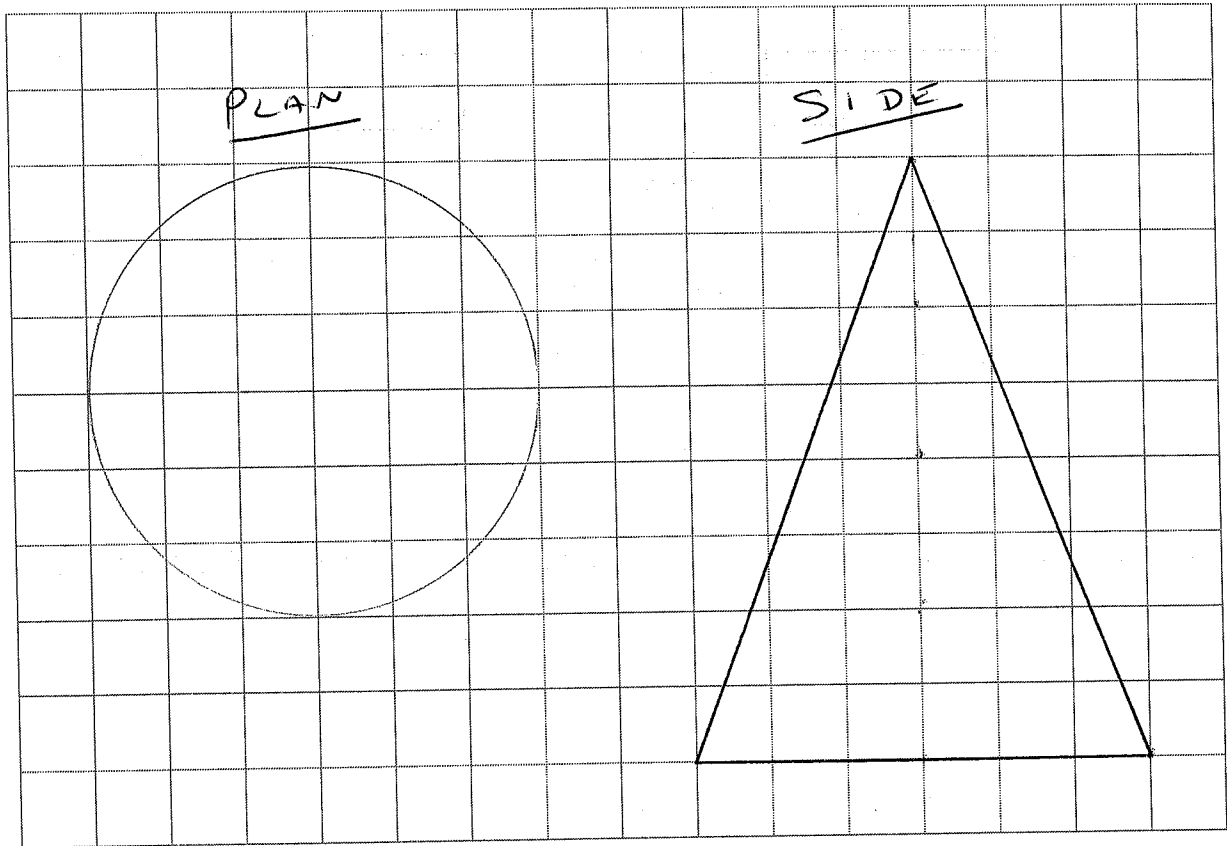


(Total for question 4 is 3 marks)

5 The diagram shows a cone with radius 3 cm and perpendicular height of 8 cm

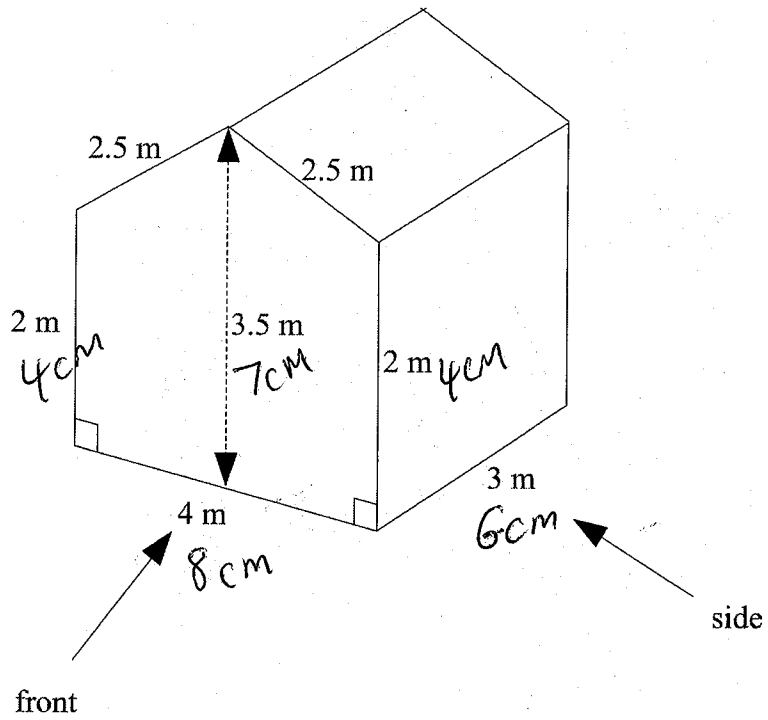


On the centimetre grid below, draw the plan and the side elevation of the cone.

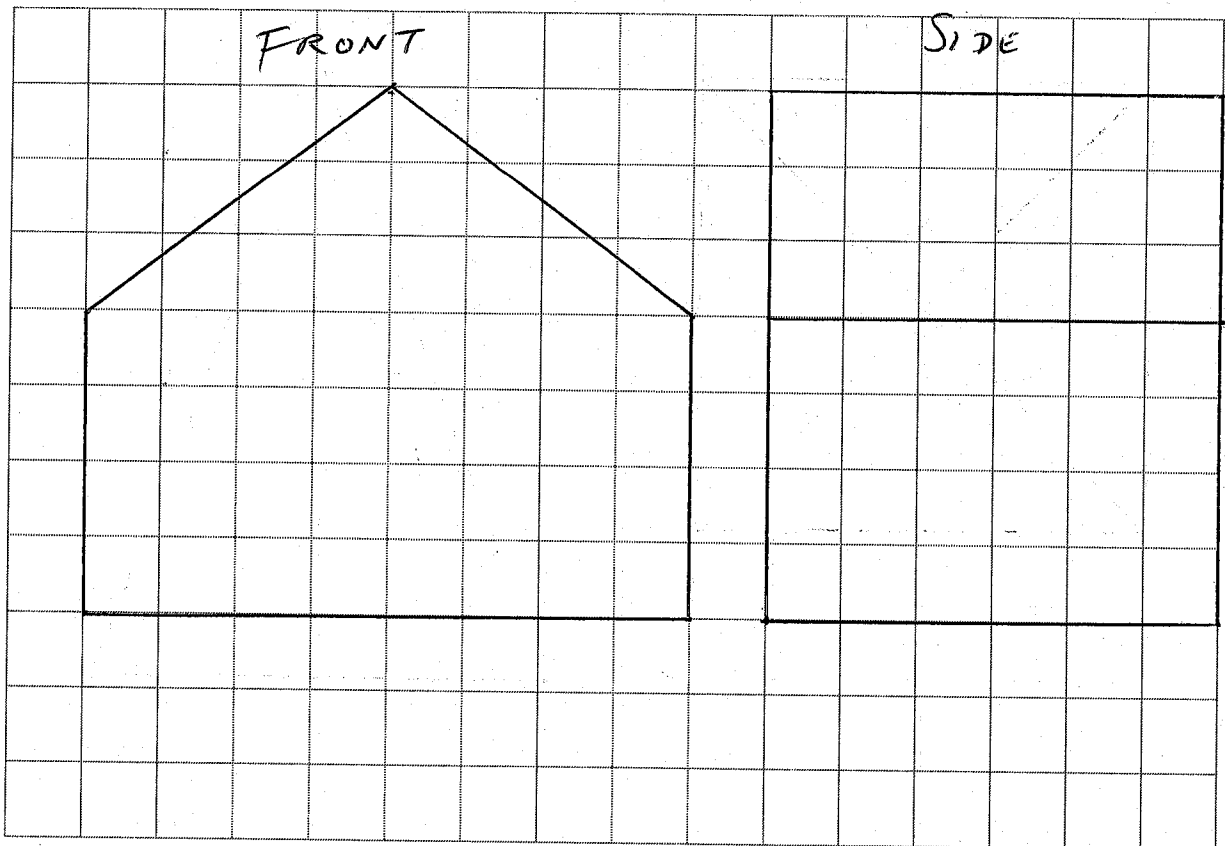


(Total for question 5 is 3 marks)

6 The diagram shows a prism.



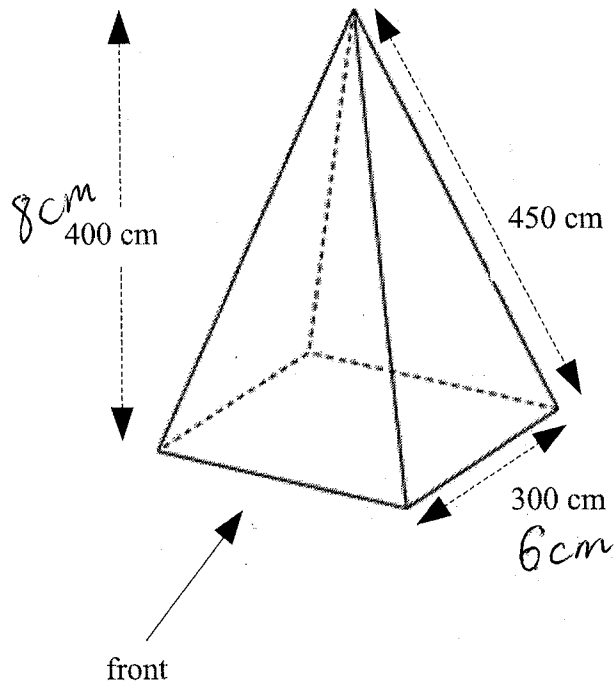
On the centimetre grid below, draw the front elevation and the side elevation of the prism.  
Use a scale of 2 cm to 1 m.



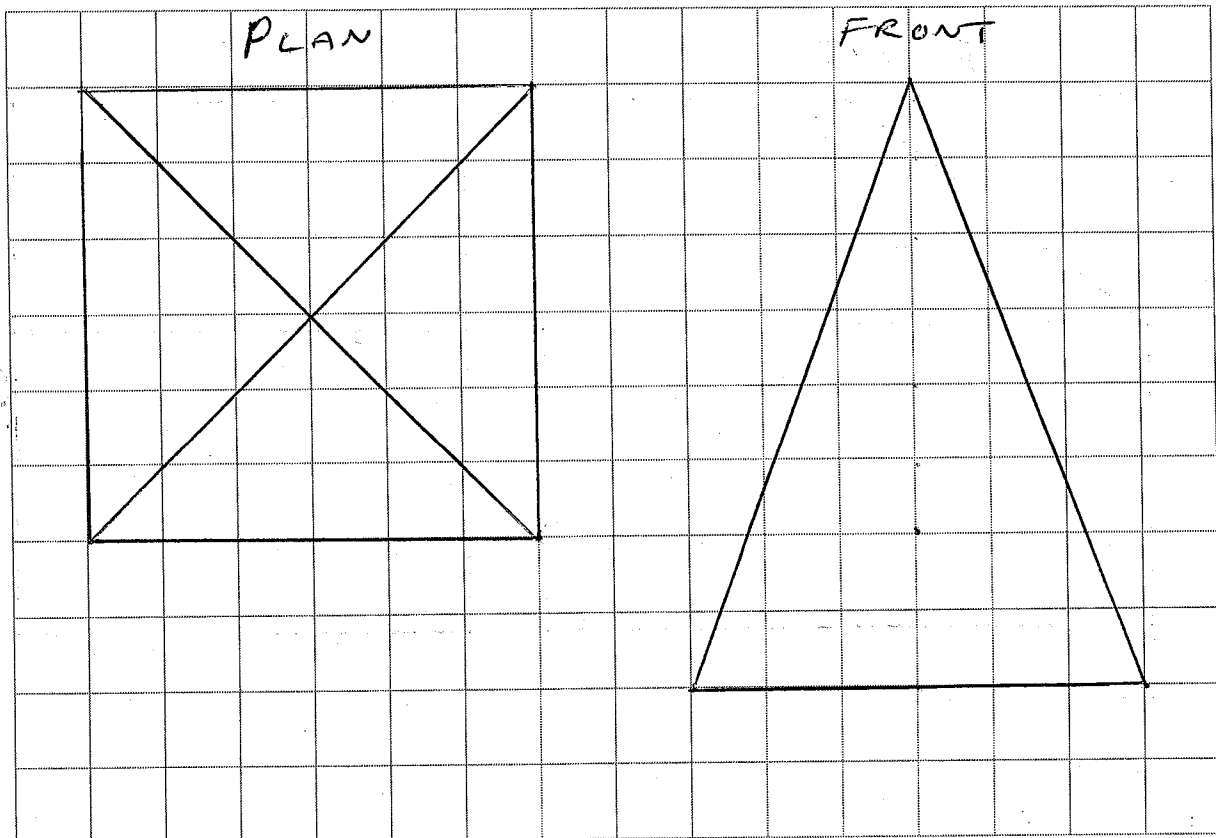
(Total for question 6 is 4 marks)

7

The diagram shows a square based pyramid with a perpendicular height of 400 cm.



On the centimetre grid below, draw the plan and the front elevation of the pyramid.  
Use a scale of 2 cm to 1 m.



(Total for question 7 is 4 marks)