

Name: _____

GCSE (1 – 9)

Reflections

Instructions

- Use **black** ink or ball-point pen.
- Answer all Questions.
- Answer the Questions in the spaces provided
– *there may be more space than you need.*
- Diagrams are **NOT** accurately drawn, unless otherwise indicated.
- You must **show all your working out.**

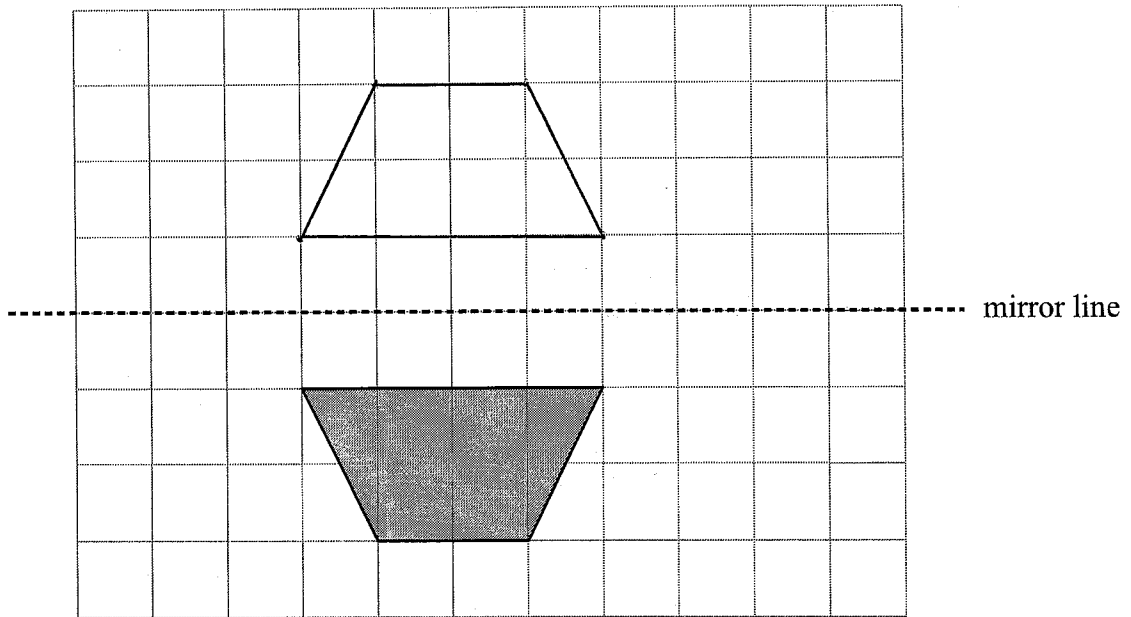
Information

- The marks for each Question are shown in brackets
– *use this as a guide as to how much time to spend on each Question.*

Advice

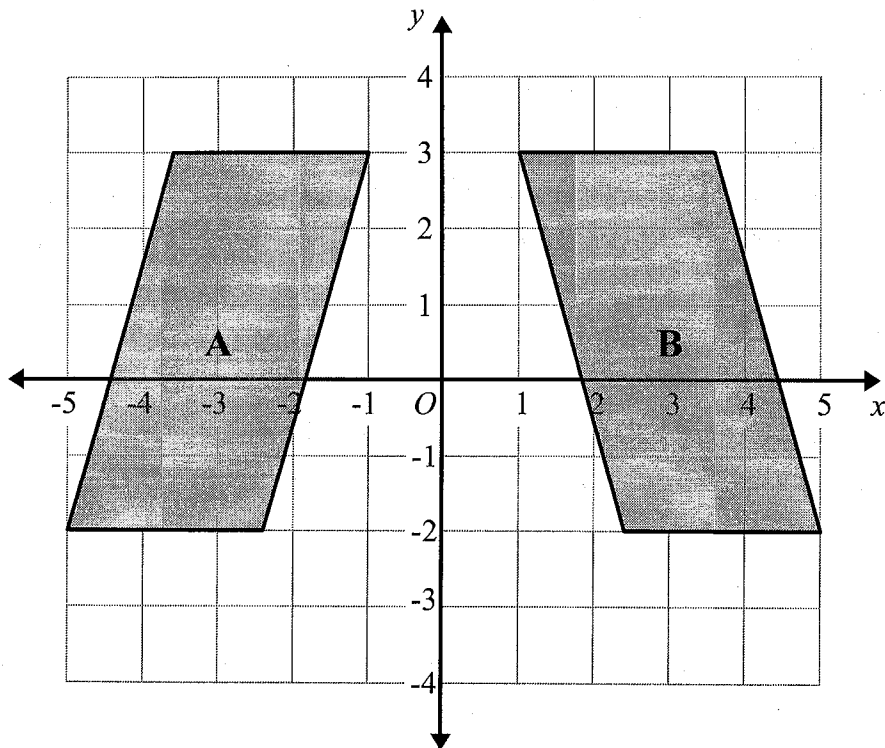
- Read each Question carefully before you start to answer it.
- Keep an eye on the time.
- Try to answer every Question.
- Check your answers if you have time at the end

1 On the grid, reflect the shaded shape in the mirror line.



(Total for question 1 is 1 mark)

2



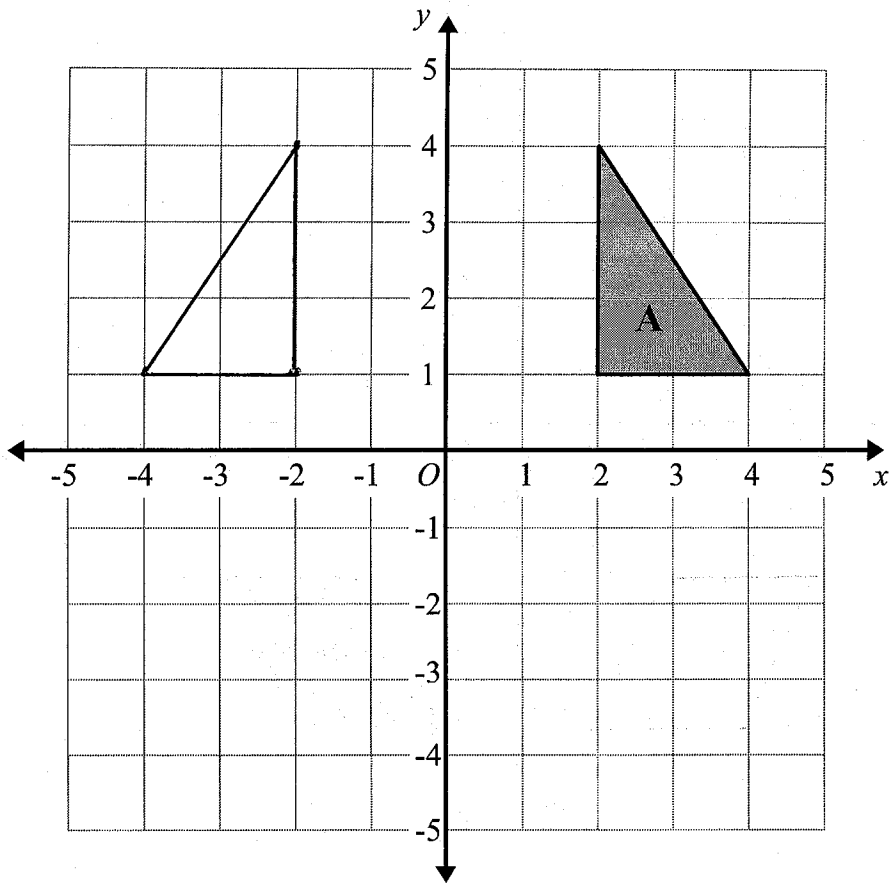
Describe fully the single transformation that maps shape A onto shape B.

..... Reflection in the y-axis

.....

(Total for question 2 is 2 marks)

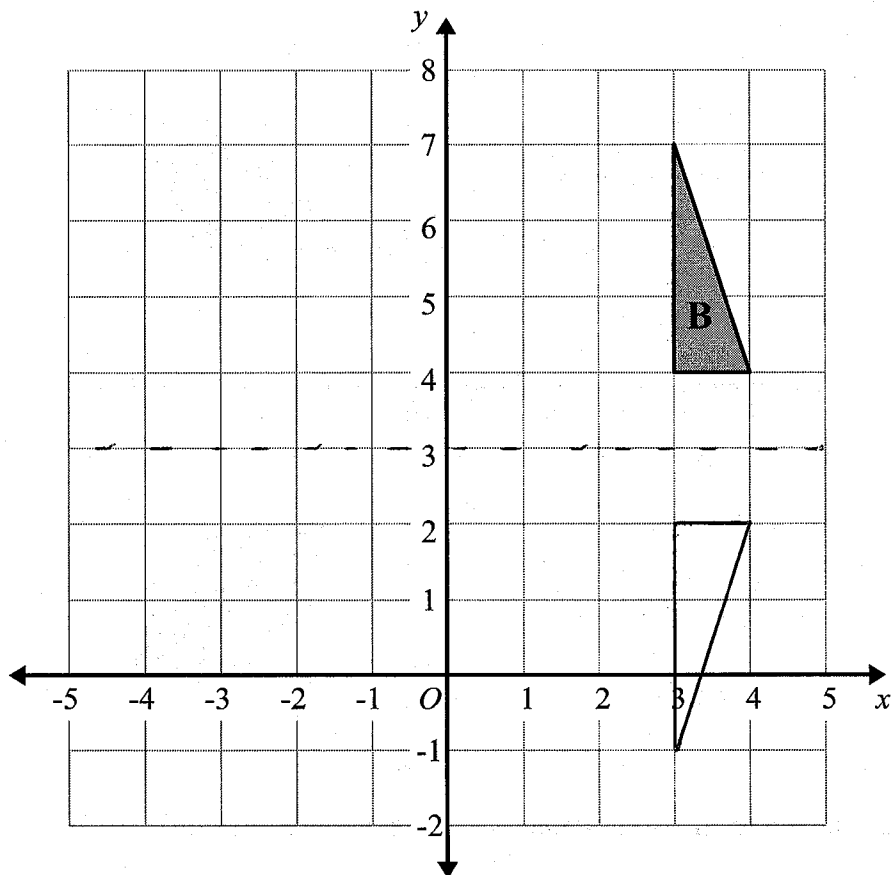
3



Reflect triangle A in the y -axis.

(Total for question 3 is 2 marks)

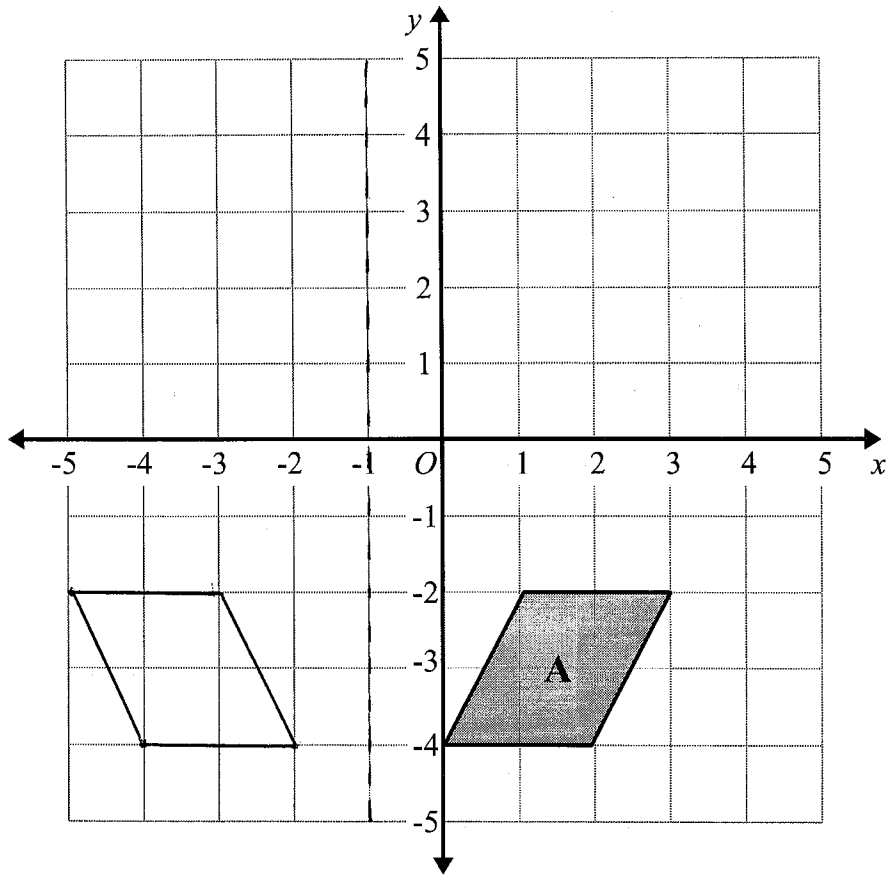
4



Reflect shape B in the line $y = 3$.

(Total for question 4 is 2 marks)

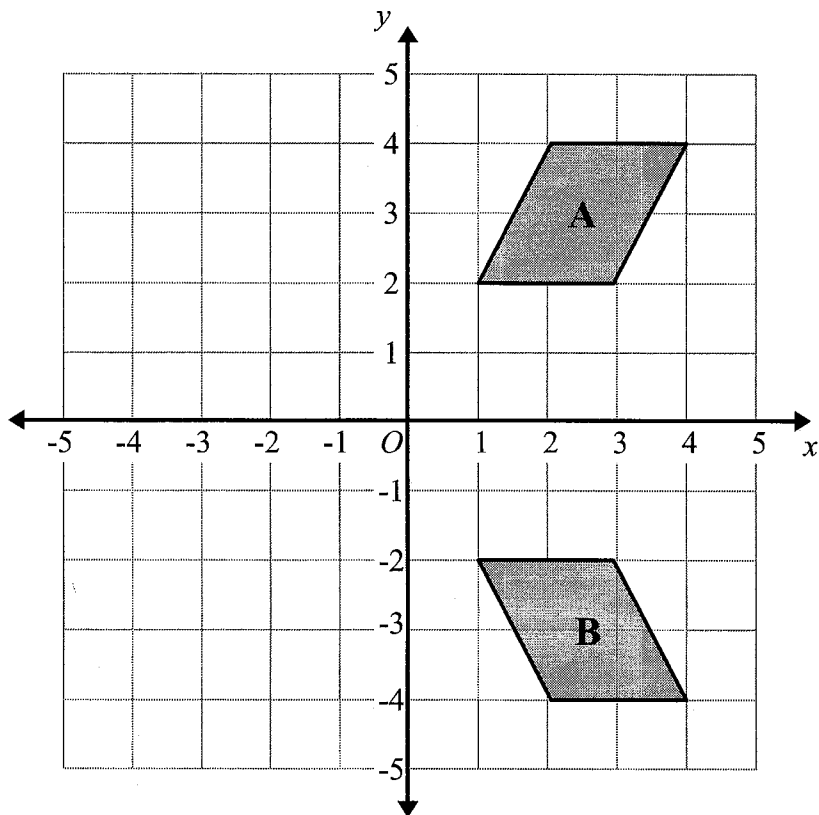
5



Reflect shape A in the line with equation $x = -1$

(Total for question 5 is 2 marks)

6

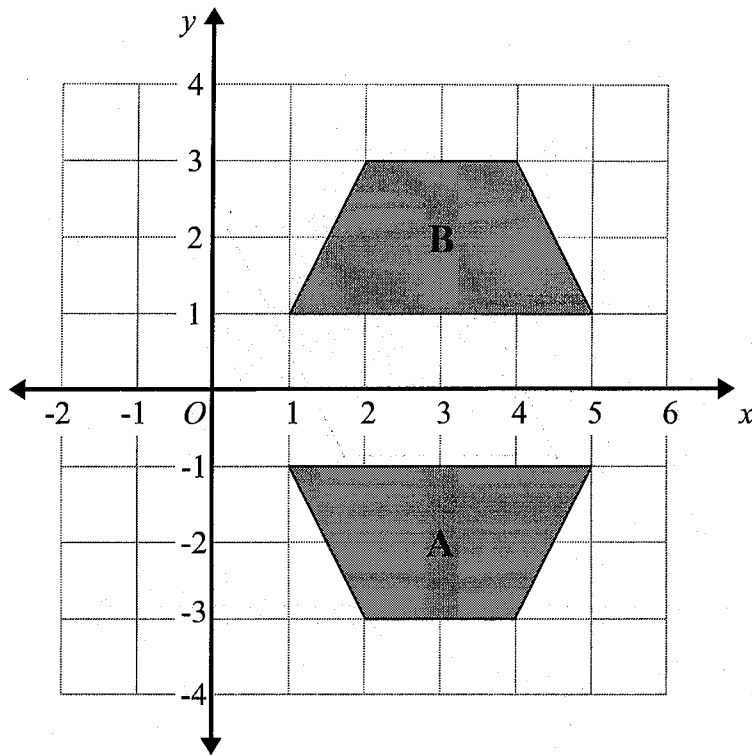


Describe fully the single transformation that maps shape A onto shape B.

Reflection in the x-axis

(Total for question 6 is 2 marks)

7

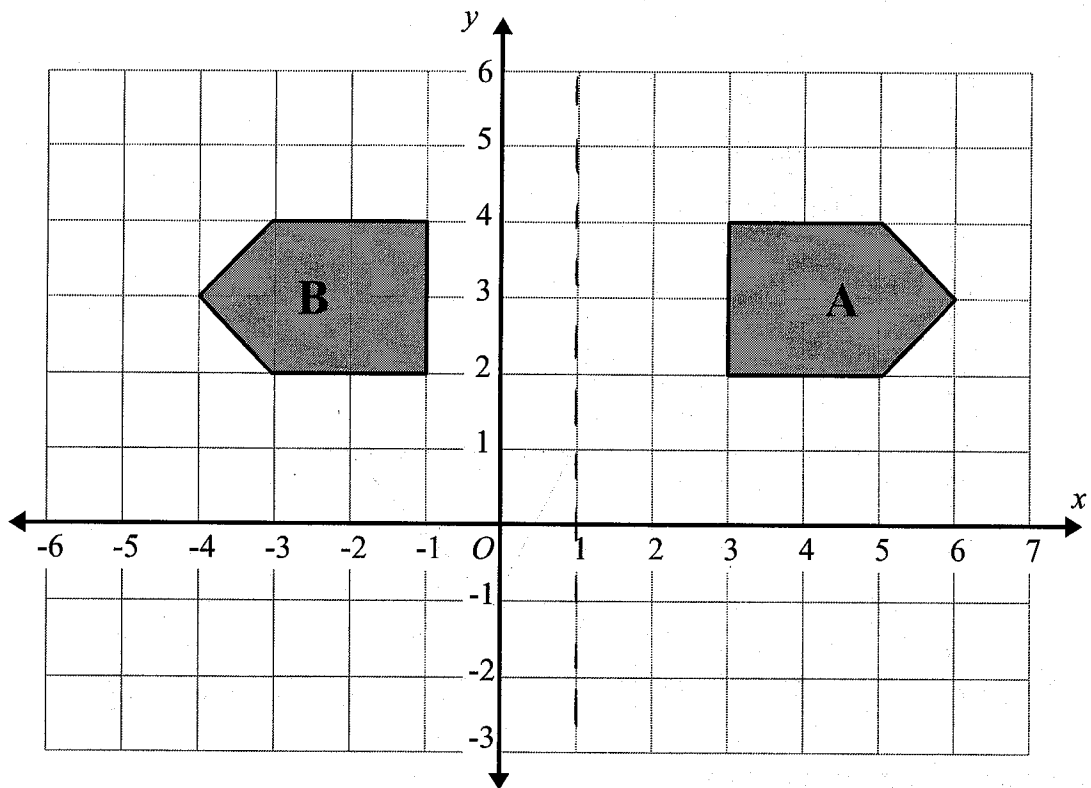


Describe fully the single transformation that maps shape A onto shape B.

Reflection in the x-axis

(Total for question 7 is 2 marks)

8

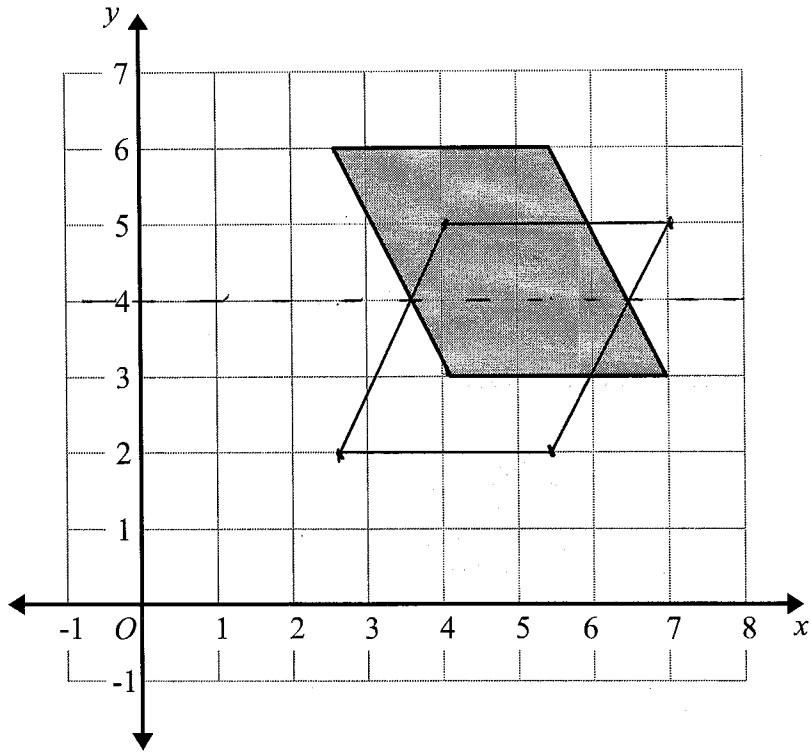


Describe fully the single transformation that maps shape A onto shape B.

Reflection in the line $x = 1$

(Total for question 8 is 2 marks)

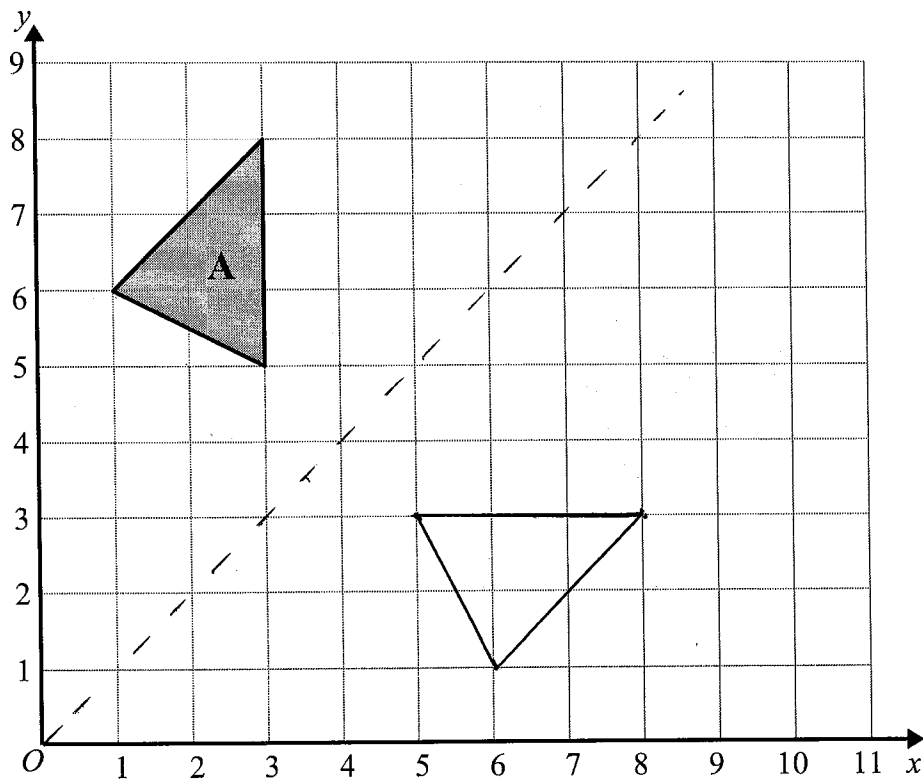
9



Reflect the shaded shape in the line $y = 4$

(Total for question 9 is 2 marks)

10



Reflect triangle A in the line $y = x$

(Total for question 10 is 2 marks)