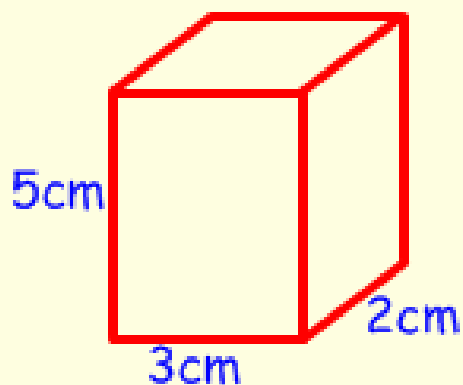


Surface Area



The surface area of a shape is the areas of all its faces added up

A cuboid has 6 faces

Area is measured in squares: in this case cm^2

Face	Area
Front	15cm^2
Back	15cm^2
Side	10cm^2
Side	10cm^2
Top	6cm^2
Bottom	6cm^2
Total	62cm^2