

Name: \_\_\_\_\_

# Maths Genie Stage 7

## Test D

### Instructions

- Use **black** ink or ball-point pen.
- Answer all questions.
- Answer the questions in the spaces provided  
– *there may be more space than you need.*
- Diagrams are **NOT** accurately drawn, unless otherwise indicated.
- You must **show all your working out.**
- **Calculators may be used.**



### Information

- The marks for each question are shown in brackets  
– *use this as a guide as to how much time to spend on each question.*

### Advice

- Read each question carefully before you start to answer it.
- Keep an eye on the time.
- Try to answer every question.
- Check your answers if you have time at the end

- 1  $n$  is an integer such that  $-5 < 2n < 4$   
Write down all the possible values of  $n$ .

.....

**(Total for Question 1 is 2 marks)**

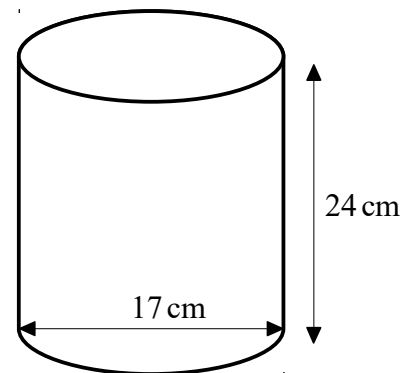
---

- 2 The probability that a sunflower seed will germinate is 0.84  
Alan is going to plant 50 sunflower seeds.  
Work out an estimate for the number of seeds that will germinate.

.....  
**(Total for Question 2 is 2 marks)**

---

- 3 A solid cylinder has a diameter of 17 cm and a height of 24 cm.  
Work out the total surface area of the cylinder.  
Give your answer correct to 3 significant figures.



..... cm<sup>2</sup>

**(Total for Question 3 is 3 marks)**

---

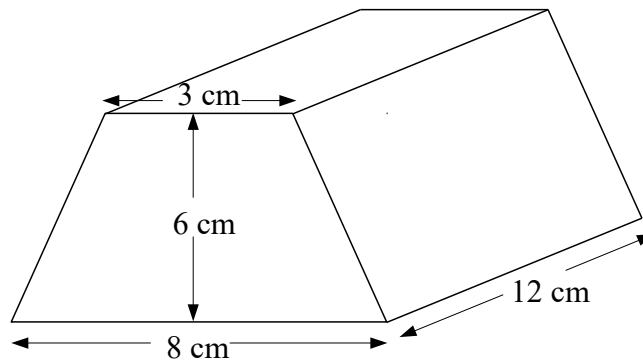
- 4 Perrie invests £9200 for 3 years in a savings account.  
She gets 2.4% per annum compound interest.

Calculate **the total amount of interest** Perrie will get after 3 years.

£.....

**(Total for Question 4 is 3 marks)**

5



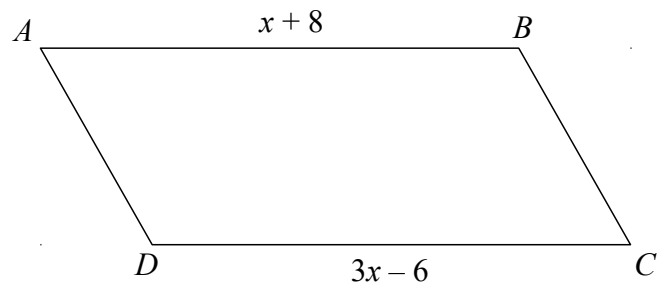
The diagram shows a prism.  
The cross-section of the prism is a trapezium.

Work out the volume of the prism.

.....cm<sup>3</sup>

**(Total for Question 5 is 3 marks)**

6



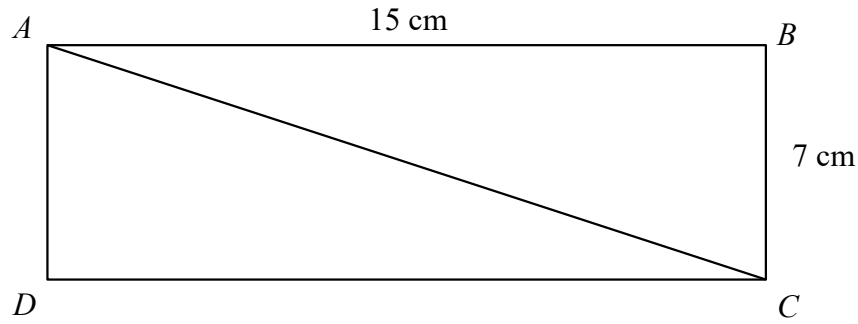
$ABCD$  is a parallelogram  
All measurements are in centimetres.  
The perpendicular height of the parallelogram is 5 cm.

Find the area of  $ABCD$

.....  
**(Total for Question 6 is 4 marks)**

---

7



$ABCD$  is a rectangle .  
Calculate the length of the diagonal  $AC$ .

Give your answer correct to 1 decimal place.

.....cm

**(Total for Question 7 is 3 marks)**

---

8 Here are the first four terms of an arithmetic sequence.

33                  29                  25                  21

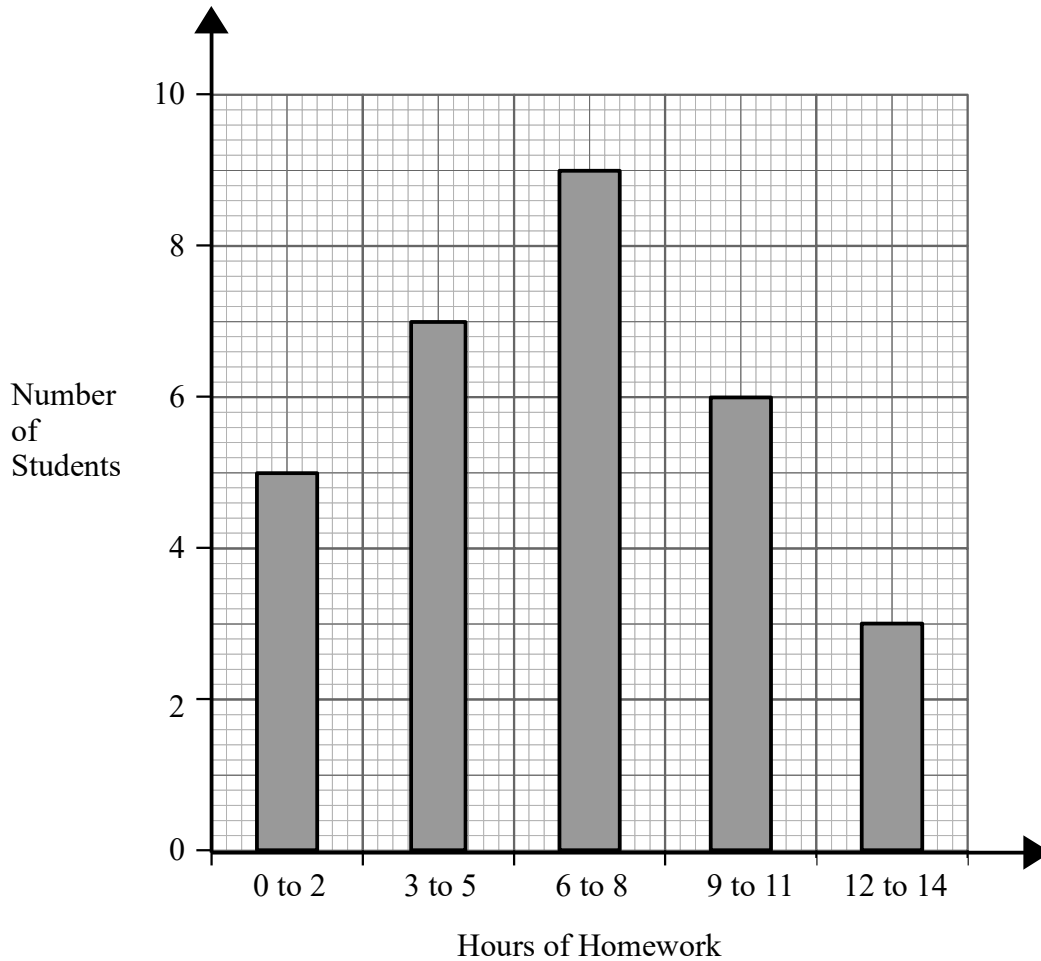
Write down an expression, in terms of  $n$ , for the  $n$ th term of the sequence.

.....

**(Total for Question 8 is 2 marks)**

---

9 The bar chart shows how many hours of homework 30 students did last week.



Calculate an estimate for the mean number of hours of homework.

..... hours

**(Total for Question 9 is 3 marks)**