

Please check the examination details below before entering your candidate information

Candidate surname

Other names

Centre Number

Candidate Number

Pearson Edexcel
Level 1/Level 2 GCSE (9–1)

--	--	--	--	--

--	--	--	--

Tuesday 11 June 2019

Morning (Time: 1 hour 30 minutes)

Paper Reference **1MA1/3F**

Mathematics

Paper 3 (Calculator)

Foundation Tier

You must have: Ruler graduated in centimetres and millimetres, protractor, pair of compasses, pen, HB pencil, eraser, calculator. Tracing paper may be used.

Total Marks

Instructions

- Use **black** ink or ball-point pen.
- **Fill in the boxes** at the top of this page with your name, centre number and candidate number.
- Answer **all** questions.
- Answer the questions in the spaces provided – *there may be more space than you need.*
- You must **show all your working**.
- Diagrams are **NOT** accurately drawn, unless otherwise indicated.
- **Calculators may be used.**
- If your calculator does not have a π button, take the value of π to be 3.142 unless the question instructs otherwise.



Information

- The total mark for this paper is 80
- The marks for **each** question are shown in brackets – *use this as a guide as to how much time to spend on each question.*

Advice

- Read each question carefully before you start to answer it.
- Keep an eye on the time.
- Try to answer every question.
- Check your answers if you have time at the end.

Turn over ►

P55606A

©2019 Pearson Education Ltd.

6/7/1/1/1/1




Pearson

Answer ALL questions.

Write your answers in the spaces provided.

You must write down all the stages in your working.

1 Write 478 to the nearest hundred.

500

(Total for Question 1 is 1 mark)

2 Write down a multiple of 8 that is between 41 and 60

48 or 56

48

(Total for Question 2 is 1 mark)

3 Change 1.5 kilometres to metres.

1500

metres

(Total for Question 3 is 1 mark)

4 Here is a list of numbers.

4 6 9 10 15 27 30 40

From the list, write down all the numbers that are powers of 3

$$9 = 3^2$$

$$27 = 3^3$$

9 and 27

(Total for Question 4 is 1 mark)

5 Write 19% as a fraction.

$\frac{19}{100}$

(Total for Question 5 is 1 mark)

DO NOT WRITE IN THIS AREA

DO NOT WRITE IN THIS AREA

DO NOT WRITE IN THIS AREA



6 Work out 20% of 80

$$20\% \times 80$$

16

(Total for Question 6 is 2 marks)

7 There are four types of counter in a bag.

The table shows the number of each type of counter in the bag.

Type of counter	red circle	green circle	red square	green square
Number of counters	16	26	11	7

There are more green counters than red counters.

How many more?

$$\text{Green } 26 + 7 = 33$$

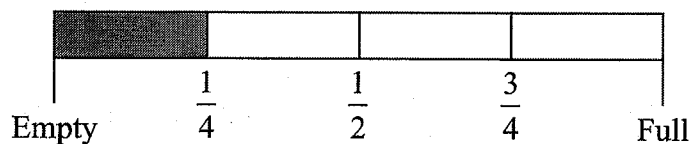
$$\text{Red } 16 + 11 = 27$$

$$33 - 27$$

6

(Total for Question 7 is 2 marks)

8 Here is the gauge for the fuel tank of a car.



The fuel tank holds 52 litres of fuel when the tank is full.

The tank is $\frac{1}{4}$ full of fuel.

Work out how many more litres of fuel are needed to fill the tank.

$$\frac{3}{4} \times 52 = 39$$

39

litres

(Total for Question 8 is 3 marks)

9 Simplify $4e + 6f + 7e - f$

$$11e + 5f$$

(Total for Question 9 is 2 marks)

10 Bill has 400 counters in a bag.

He gives

35 of the counters to Sameena

50 of the counters to Henry

75 of the counters to Lucas

What fraction of the 400 counters is left in Bill's bag?

Give your fraction in its simplest form.

$$400 - 35 - 50 - 75 = 240$$

$$\frac{240}{400} = \frac{3}{5}$$

$$\frac{3}{5}$$

(Total for Question 10 is 3 marks)



11 The table shows the costs of sending a parcel by the Express service and by the Rapid service.

Type of service	Cost
Express	£15.25
Rapid	£35.38

Brendan has to send 12 parcels.

It will be cheaper to send the parcels by the Express service than by the Rapid service.

(a) How much cheaper?

$$\begin{aligned} \text{Express} &: 12 \times 15.25 = £183 \\ \text{Rapid} &: 12 \times 35.38 = £424.56 \end{aligned}$$

$$424.56 - 183 = £241.56$$

$$£ \frac{241.56}{(3)}$$

Luke wants to send 21 parcels by the Express service.

He does the calculation $20 \times £15 = £300$ to estimate the cost.

(b) Explain why Luke's calculation shows the actual cost will be more than £300

Both numbers have been rounded down:

$$21 > 20 \quad \text{and} \quad 15.25 > 15$$

(1)

(Total for Question 11 is 4 marks)

12 Ali, Ben and Cathy share an amount of money in the ratio 6 : 9 : 10

What fraction of the money does Ben get?

$$6 + 9 + 10 = 25$$

$$\frac{9}{25}$$

(Total for Question 12 is 2 marks)

13 The first term of a sequence of numbers is 24
The term-to-term rule of this sequence is 'add 8'

Josie says,

"No number in this sequence is in the 5 times table."

(a) Give an example to show that Josie is wrong.

$$24, 32, \underline{\underline{40}}$$

$$40$$

(1)

(b) Is 85 a number in this sequence?
Give a reason for your answer.

No, all numbers in the sequence are even,
85 is odd

(1)

(Total for Question 13 is 2 marks)



14 Find the value of $\frac{5.27 + 3.5}{7.9 - 4.36}$

Give your answer as a decimal.
Write down all the figures on your calculator display.

2.47740113

(Total for Question 14 is 2 marks)

15 You can use this rule to work out the total hire charge, in pounds (£), for hiring a 3D printer for a number of weeks.

$$\text{Total hire charge (£)} = \text{number of weeks} \times 70 + 50$$

Mia wants to hire a 3D printer for 4 weeks.

(a) Work out the total hire charge.

$$4 \times 70 + 50$$

£ 330
(2)

Zahir hires a 3D printer.
The total hire charge is £680

(b) For how many weeks does Zahir hire the 3D printer?

$$70w + 50 = 680$$

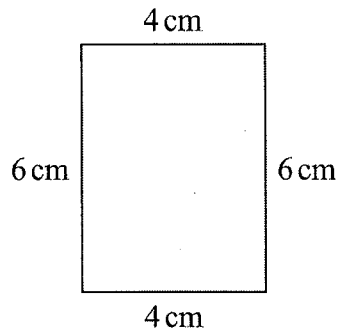
$$\begin{array}{r} 70w + 50 = 680 \\ -50 \qquad -50 \\ \hline 70w = 630 \\ \div 70 \qquad \div 70 \end{array}$$

$$w = 9 \text{ weeks} \quad (2)$$

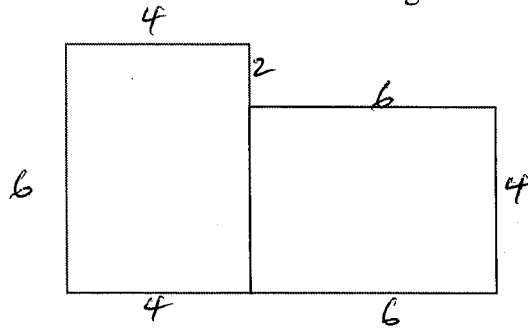
(Total for Question 15 is 4 marks)



16 Here is a rectangle.



The 6-sided shape below is made from two of these rectangles.



Work out the perimeter of this 6-sided shape.

$$6 + 4 + 2 + 6 + 4 + 6 + 4$$

..... 32 cm

(Total for Question 16 is 3 marks)

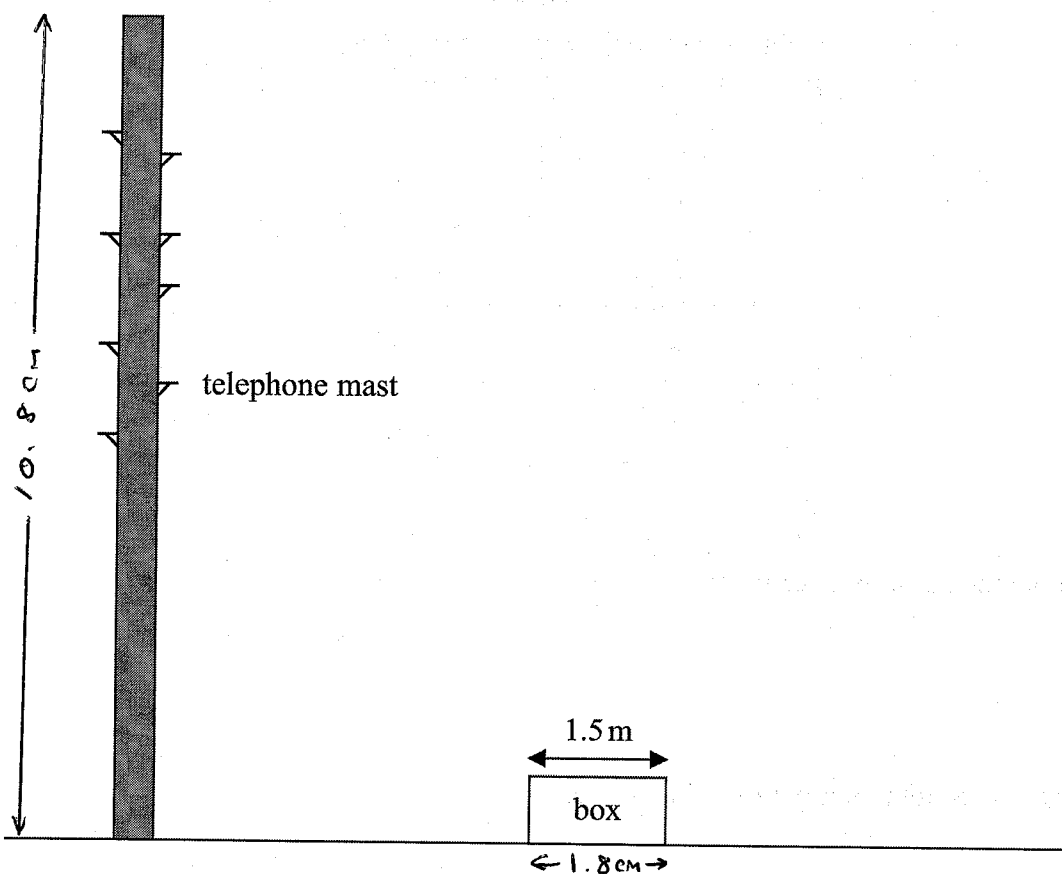
DO NOT WRITE IN THIS AREA

DO NOT WRITE IN THIS AREA

DO NOT WRITE IN THIS AREA



17 The accurate scale diagram shows a telephone mast and a box.



The box has a real width of 1.5 metres.

Find an estimate for the real height, in metres, of the telephone mast.

$$\frac{10.8}{1.8} = 6 \quad 6 \text{ times as long}$$

$$6 \times 1.5 = 9 \text{ m}$$

..... 9 metres

(Total for Question 17 is 2 marks)



18 The table shows information about the numbers of points scored by 30 students in a quiz.

Number of points	Frequency
0	4
1	3
2	7
3	5
4	6
5	5

(a) Find the modal number of points.

2

(1)

(b) Work out the total number of points scored.

$$0 \times 4 = 0$$

$$1 \times 3 = 3$$

$$2 \times 7 = 14$$

$$3 \times 5 = 15$$

$$4 \times 6 = 24$$

$$5 \times 5 = 25$$

$$3 + 14 + 15 + 24 + 25$$

81

(2)

(Total for Question 18 is 3 marks)



19 Make x the subject of the formula $y = 2x + 4$

$$-4 \quad -4$$

$$y - 4 = 2x$$
$$\div 2 \quad \div 2$$

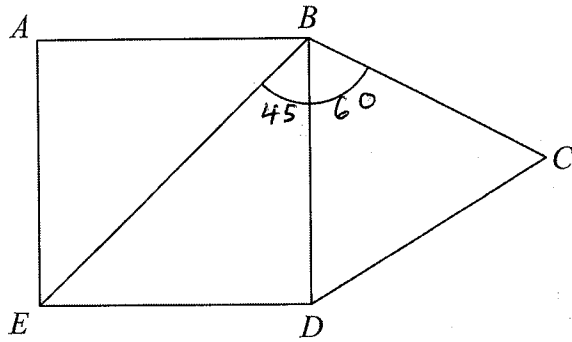
$$\frac{y - 4}{2} = x$$

$$x = \frac{y - 4}{2}$$

(Total for Question 19 is 2 marks)



20 The diagram shows a square $ABDE$ and an equilateral triangle BCD .



Work out the size of angle EBC .

$$45 + 60$$

105

(Total for Question 20 is 2 marks)

DO NOT WRITE IN THIS AREA

DO NOT WRITE IN THIS AREA

DO NOT WRITE IN THIS AREA



21 Liz goes on holiday to South Africa.

Liz wants to change £850 into South African rand.
She wants to get as many 200 rand notes as possible.

The exchange rate is £1 = 18.53 rand.

Work out the greatest number of 200 rand notes that Liz can get for £850

$$850 \times 18.53 = 15750.5 \text{ Rand}$$

$$\frac{15750.5}{200} = 78.7525 \text{ (78 notes)}$$

..... 78

(Total for Question 21 is 3 marks)

22 In October Sally drove 560 miles in her car.

The car travelled 34.5 miles for each gallon of petrol used.

Petrol cost £1.08 per litre.

1 gallon = 4.55 litres.

Work out the cost of the petrol the car used in October.

miles	gallons
34.5	1
560	16.23

$$560 \div 34.5 = 16.231884\dots$$

gallons	litres
1	4.55
16.23	73.855

$$16.23 \times 4.55 = 73.85507246$$

$$73.855 \times 1.08 = \pounds 79.76$$

..... £ 79.76

(Total for Question 22 is 4 marks)



23 Costcorp sells packets of mints to shop owners.

On Monday three shop owners buy mints from Costcorp.

Each shop owner buys small packets, medium packets and large packets of mints.

Alan buys 400 packets of mints.

32% are small packets.

40% are large packets.

Beryl buys 500 packets of mints.

$\frac{3}{10}$ are small packets.

$\frac{1}{10}$ are large packets.

Charlie buys 150 small packets of mints so that

number of small packets : number of medium packets = 3 : 4

Work out the total number of medium packets of mints these shop owners buy.

You must show all your working.

A $100 - 32 - 40 = 28\%$ Medium

$28\% \times 400 = \underline{\underline{112}}$

B $1 - \frac{3}{10} - \frac{1}{10} = \frac{6}{10}$ or $\frac{3}{5}$

$\frac{3}{5} \times 500 = \underline{\underline{300}}$

C
 $\times 50 \downarrow$
S : M
3 : 4
 $\uparrow \times 50$
 $150 : \underline{\underline{200}}$

$112 + 300 + 200 = 612$

612

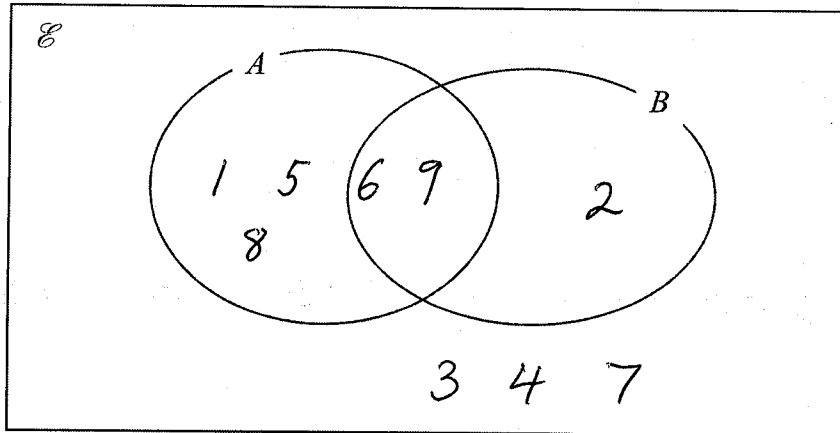
(Total for Question 23 is 5 marks)



24 $\mathcal{E} = \{1, 2, 3, 4, 5, 6, 7, 8, 9\}$

$A = \{1, 5, 6, 8, 9\}$

$B = \{2, 6, 9\}$



(a) Complete the Venn diagram to represent this information.

(3)

A number is chosen at random from the universal set \mathcal{E} .

(b) Find the probability that the number is in the set $A \cap B$

$$\frac{2}{9}$$

(2)

(Total for Question 24 is 5 marks)

25 Katy invests £200 000 in a savings account for 4 years.
The account pays compound interest at a rate of 1.5% per annum.

Calculate the total amount of interest Katy will get at the end of 4 years.

$$200\ 000 \times 1.015^4 = 212\ 272.71$$

$$212\ 272.71 - 200\ 000 \\ = \pounds 12\ 272.71$$

£ 12 272.71

(Total for Question 25 is 3 marks)

DO NOT WRITE IN THIS AREA

DO NOT WRITE IN THIS AREA

DO NOT WRITE IN THIS AREA



26 The table shows information about the heights of 80 plants.

40

Height (h cm)	Frequency
$10 < h \leq 20$	7
$20 < h \leq 30$	13
$30 < h \leq 40$	14
$40 < h \leq 50$	12
$50 < h \leq 60$	16
$60 < h \leq 70$	18

7

20

34

46

40th in this group.

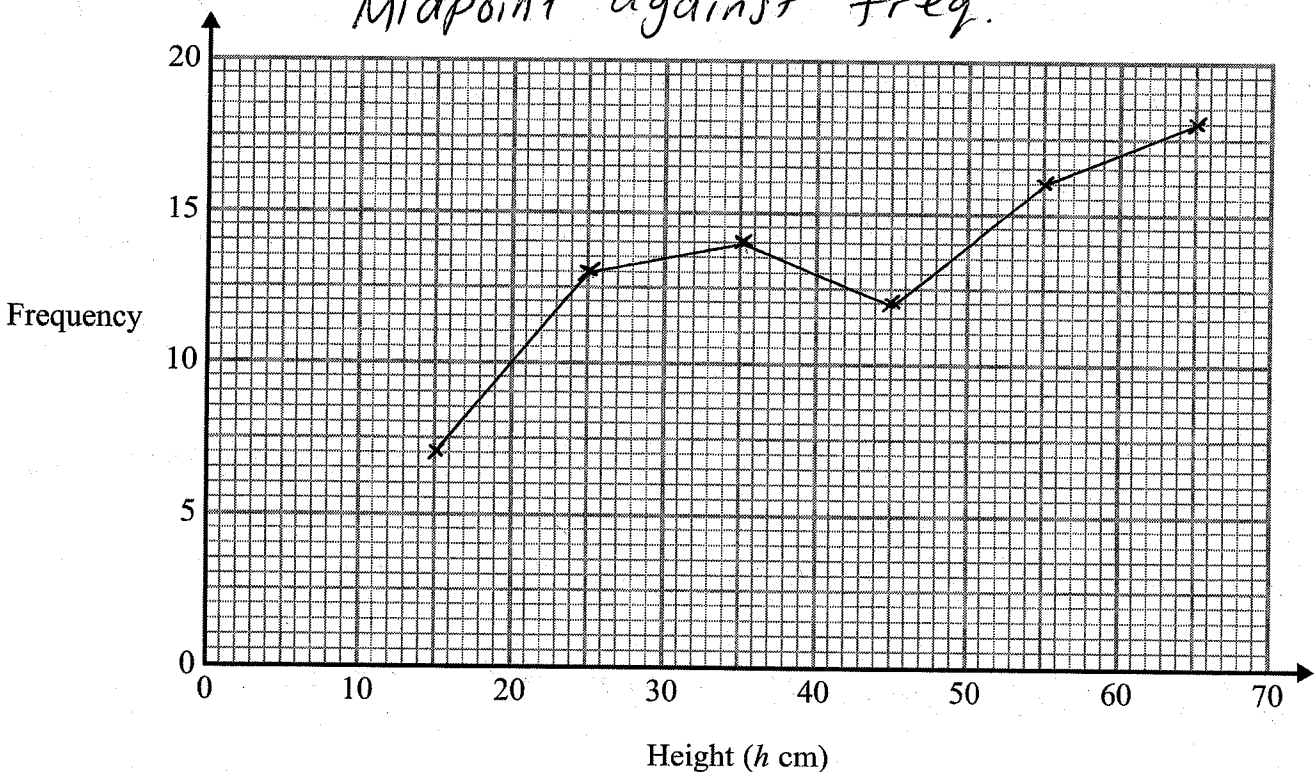
(a) Find the class interval that contains the median.

$40 < h \leq 50$

(1)

(b) On the grid, draw a frequency polygon for the information in the table.

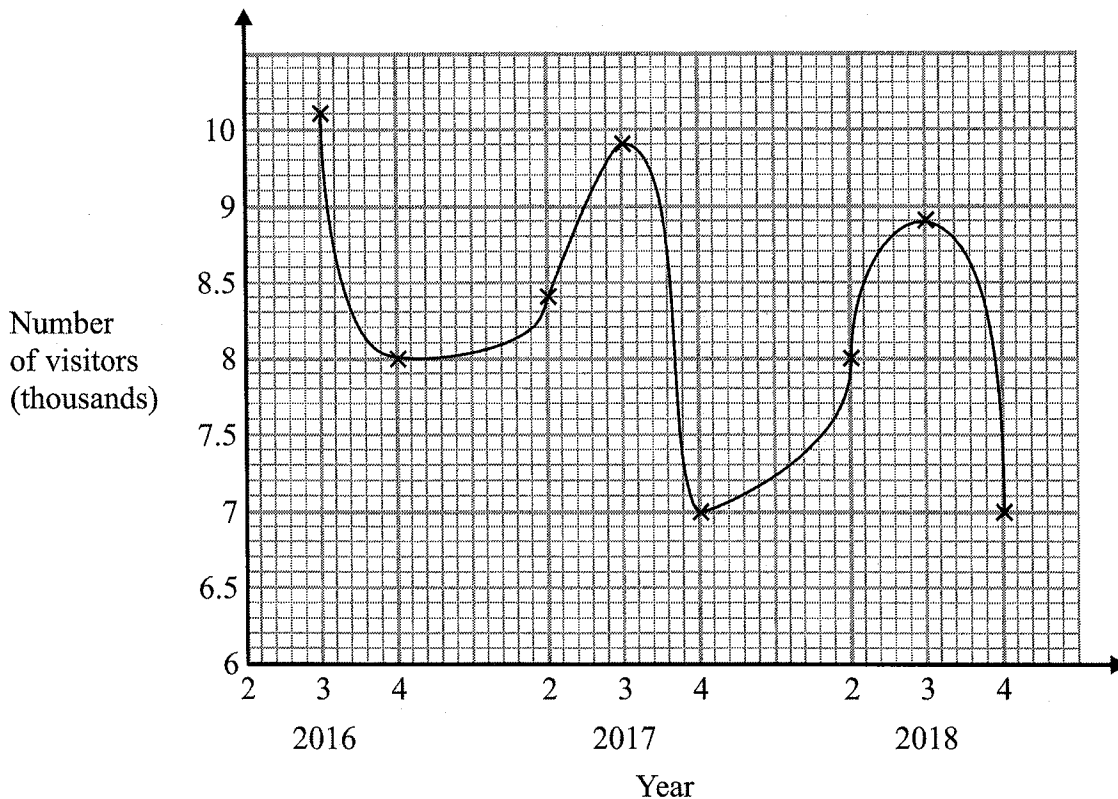
Midpoint against freq.



(2)

(Total for Question 26 is 3 marks)

27 Sean has drawn a time series graph to show the numbers, in thousands, of visitors to a fun park.



Write down two things that are wrong or could be misleading with this graph.

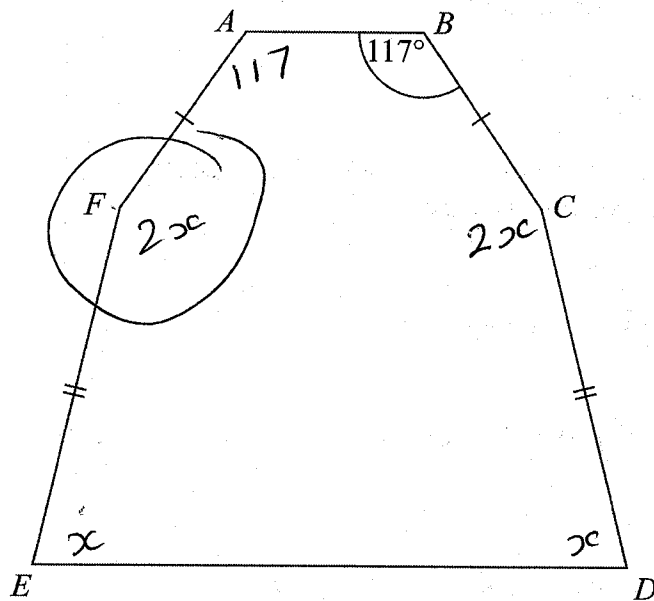
- 1 The 9.5 is missing from the scale on the y axis (it is not linear)
- 2 points should be joined with straight lines

(Total for Question 27 is 2 marks)

or// the first quarter is not shown
or// y axis should start at zero.



- 28 The diagram shows a hexagon.
The hexagon has one line of symmetry.



$$FA = BC$$

$$EF = CD$$

$$\text{Angle } ABC = 117^\circ$$

$$\text{Angle } BCD = 2 \times \text{angle } CDE$$

Work out the size of angle AFE .

You must show all your working.

$$\begin{aligned} \text{Angles in a hexagon} &= (6-2) \times 180 \\ &= \underline{\underline{720}} \end{aligned}$$

$$x + x + 2x + 2x + 117 + 117 = 720$$

$$6x + 234 = 720$$

$$6x = 486$$

$$x = 81$$

$$AFE = 2 \times 81$$

$$= 162^\circ$$

..... 162

(Total for Question 28 is 4 marks)

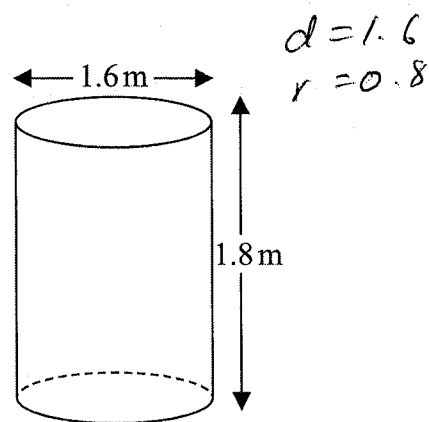


29 Jeremy has to cover 3 tanks completely with paint.

Each tank is in the shape of a cylinder with a top and a bottom. The tank has a diameter of 1.6 m and a height of 1.8 m.

Jeremy has 7 tins of paint.
Each tin of paint covers 5 m^2

Has Jeremy got enough paint to cover completely the 3 tanks?
You must show how you get your answer.



Surface Area.

Total surface area = 2 circles + curved s. area

$$\begin{aligned}\text{Area of circle} &= \pi r^2 \\ &= \pi (0.8)^2 \\ &= \frac{16}{25} \pi\end{aligned}$$

$$\begin{aligned}\text{Curved surface area} &= \text{circumference} \times \text{height} \\ &= \pi (1.6) \times 1.8 \\ &= \frac{72}{25} \pi\end{aligned}$$

$$\begin{aligned}\text{Total surface area} &= 2 \left(\frac{16}{25} \pi \right) + \frac{72}{25} \pi \\ &= \frac{104}{25} \pi \quad (\text{or } 13.069\dots)\end{aligned}$$

$$3 \times \frac{104}{25} \pi = \underline{\underline{39.2 \text{ m}^2}} \quad (\text{area to cover})$$

$$7 \times 5 = \underline{\underline{35 \text{ m}^2}} \quad (\text{area he can cover})$$

No $39.2 > 35$

(Total for Question 29 is 5 marks)



30 Solve the simultaneous equations

$$\begin{aligned} 3x - 4y &= 11 && \times 3 \\ 9x + 2y &= 5 \end{aligned}$$

$$\underline{9x} - \underline{12y} = \underline{33}$$

$$\underline{9x} + \underline{2y} = \underline{5}$$

$$-14y = 28$$

$$\underline{\underline{y = -2}}$$

$$9x + 2(-2) = 5$$

$$9x - 4 = 5$$

$$9x = 9$$

$$\underline{\underline{x = 1}}$$

$$x = \dots \frac{1}{\dots}$$

$$y = \dots \frac{-2}{\dots}$$

(Total for Question 30 is 3 marks)

TOTAL FOR PAPER IS 80 MARKS



BLANK PAGE

DO NOT WRITE IN THIS AREA

DO NOT WRITE IN THIS AREA

DO NOT WRITE IN THIS AREA

